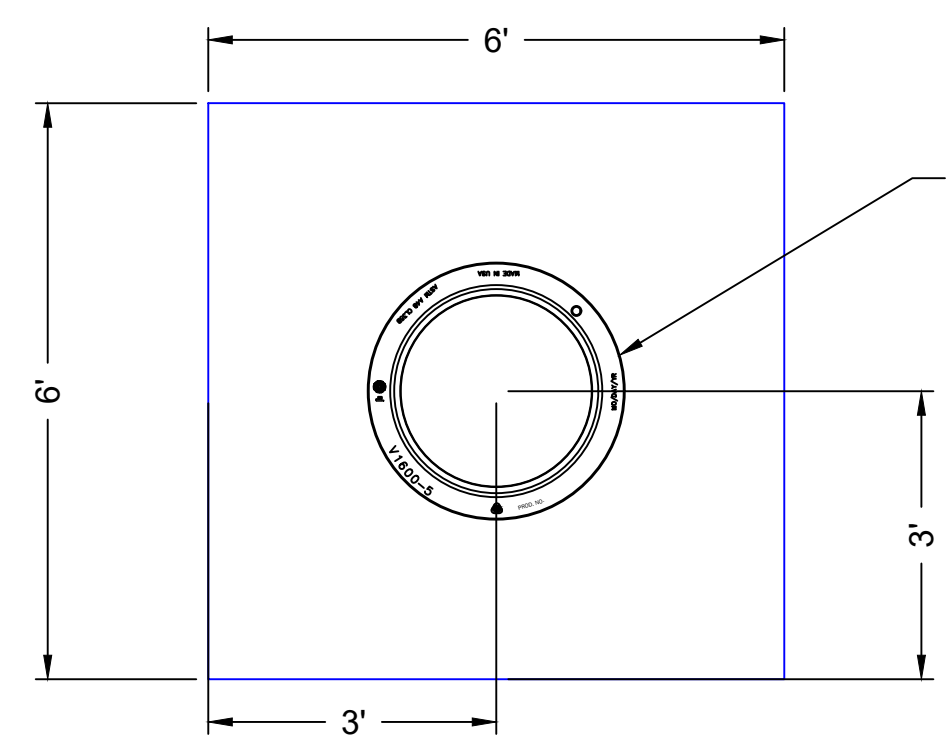
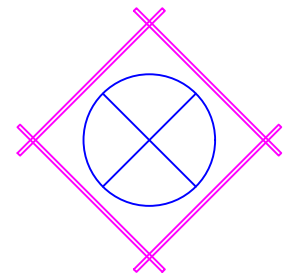


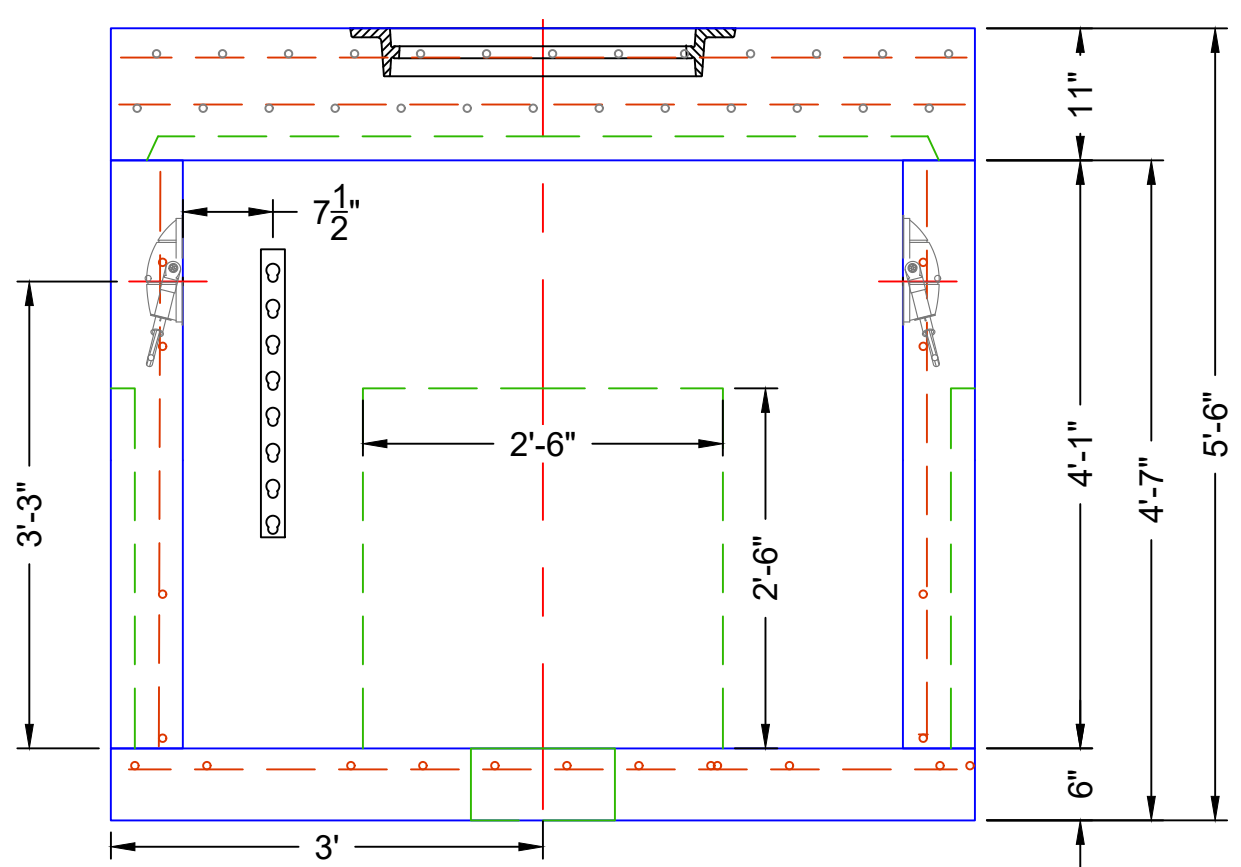
PLAN VIEW
BASE & WALLS ONLY
REINFORCING REMOVED



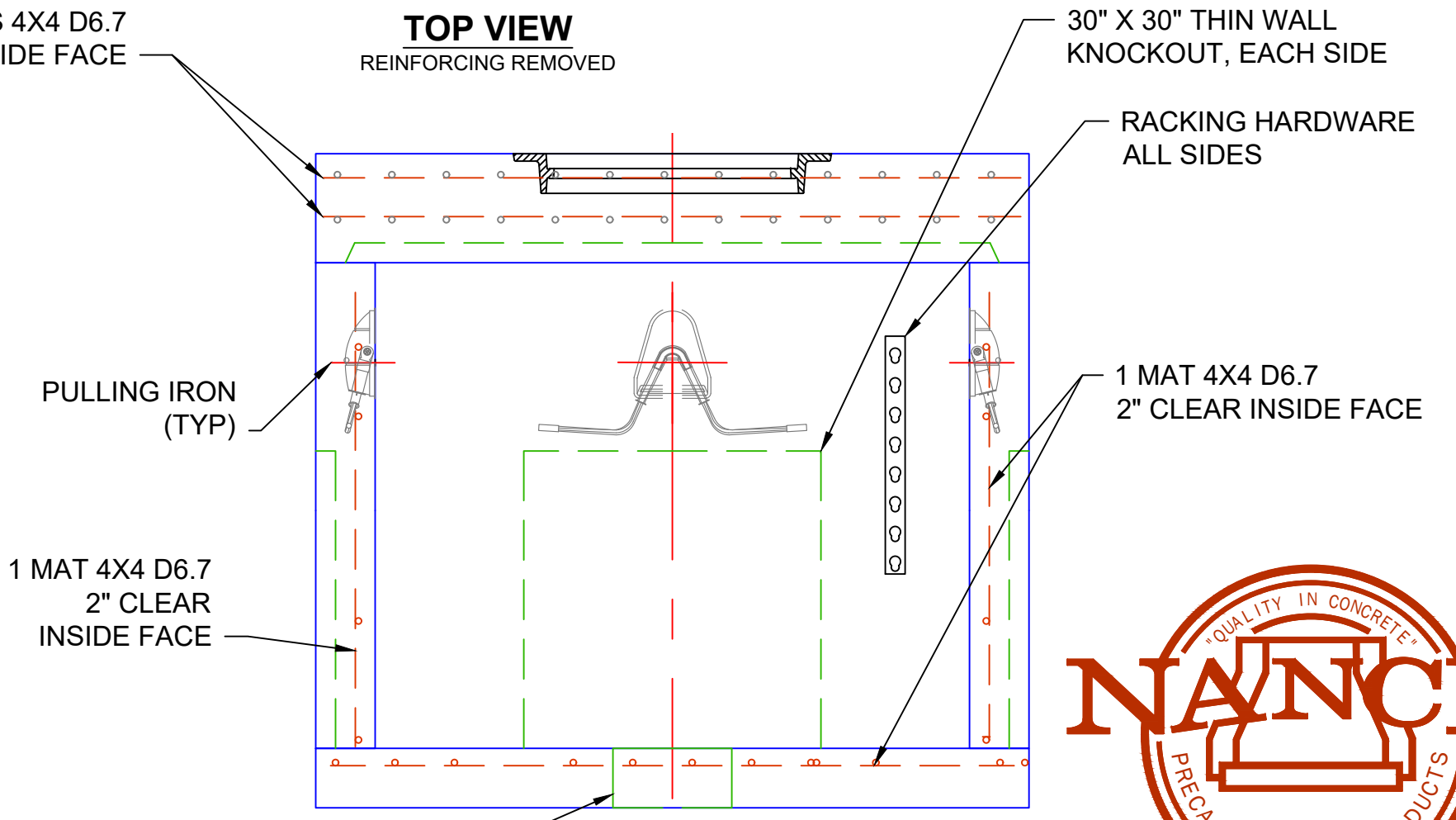
TOP VIEW
REINFORCING REMOVED



REINFORCING DETAIL
TYP. ALL OPENINGS UNO
(4) - #4 BARS X (BO + 8")



PROFILE VIEW
SIDE 0°



PROFILE VIEW
SIDE 270°



Rev.	Date	Desc.	Job #	Project:	Client:	Drawn By:	Structure Type:
-	-	-		ELECTRICAL MANHOLE	NPCP	LC	5X5 ELECTRIC MANHOLE