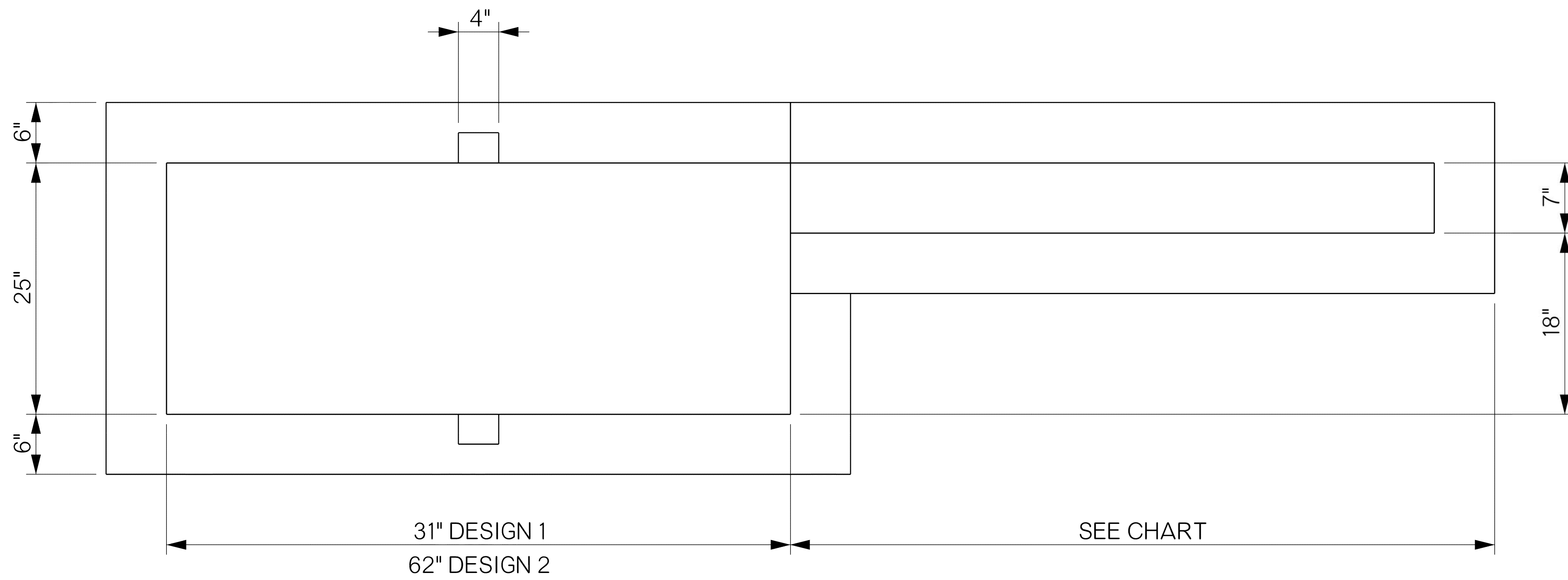


CURB INLET

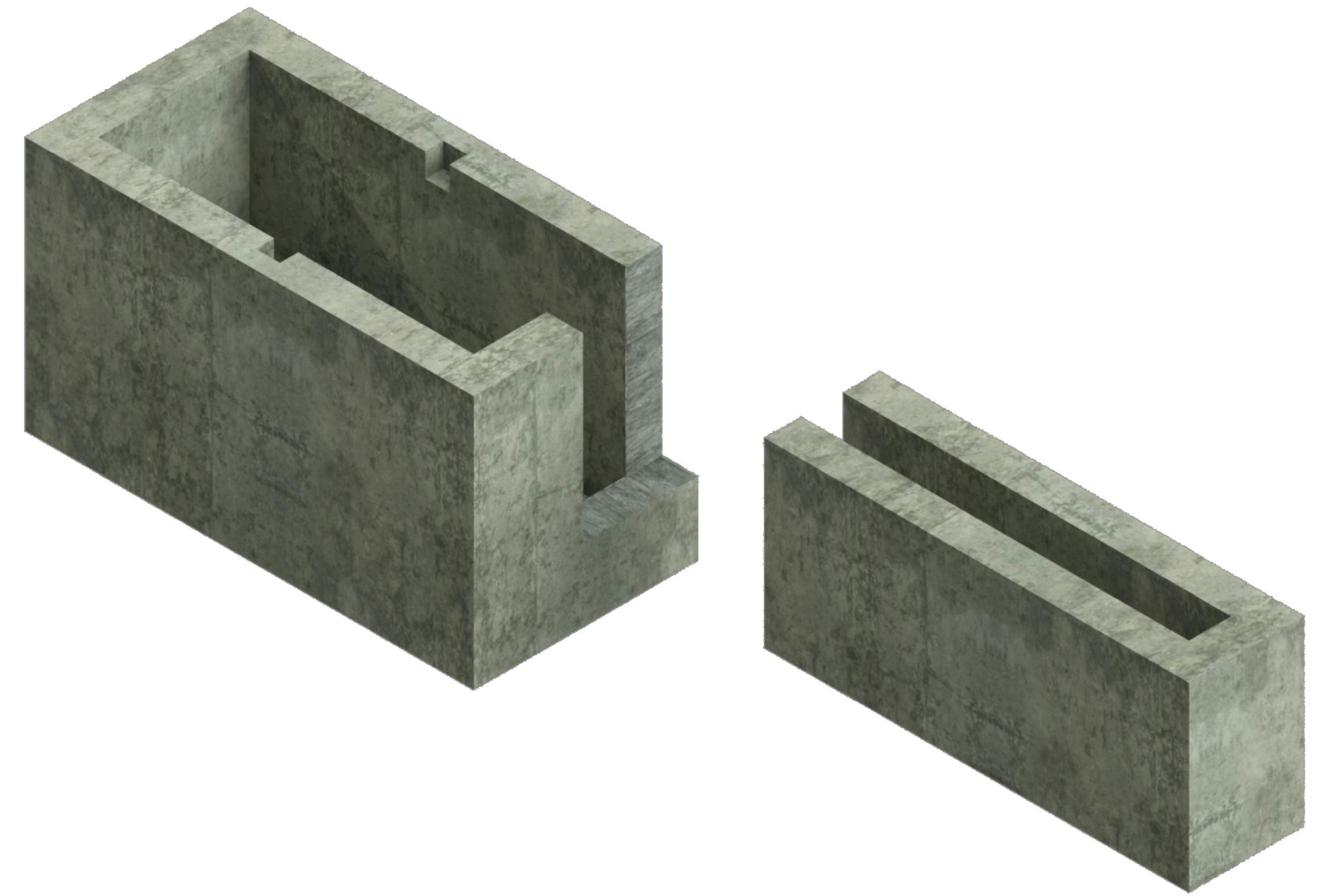
NANCE PRECAST CONCRETE PRODUCTS

5601 WASHINGTON AVE. N.E., PIEDMONT, OK 73078

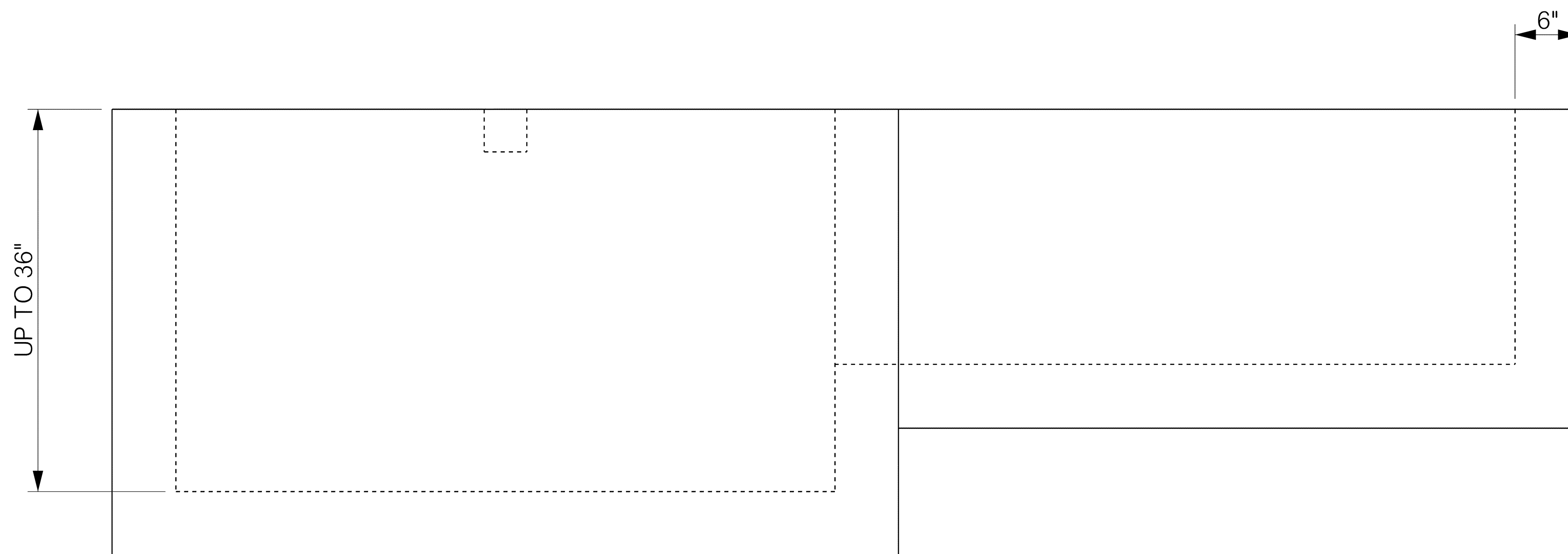
PHONE 405-373-1800 FAX 405-373-1803



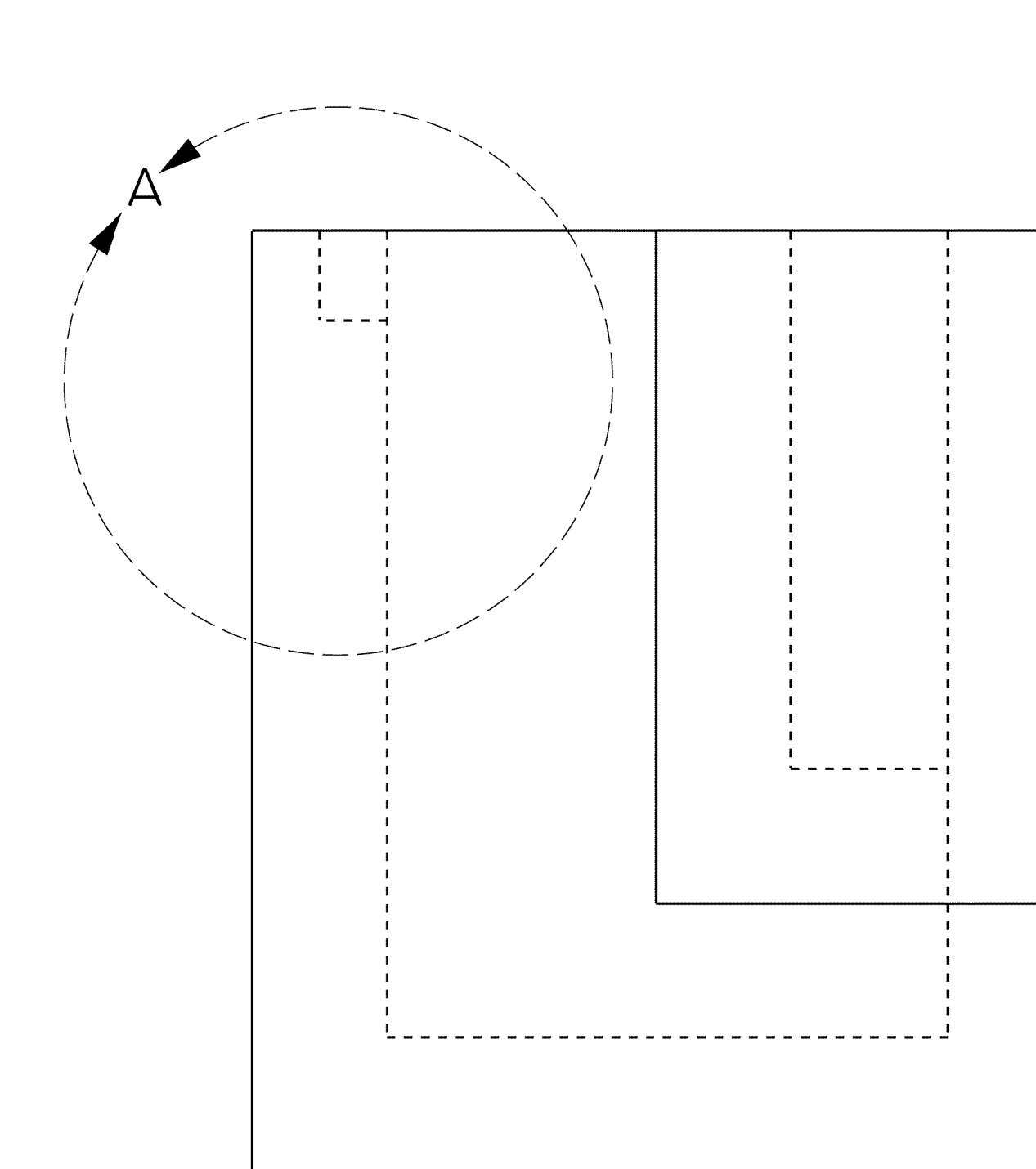
PLAN



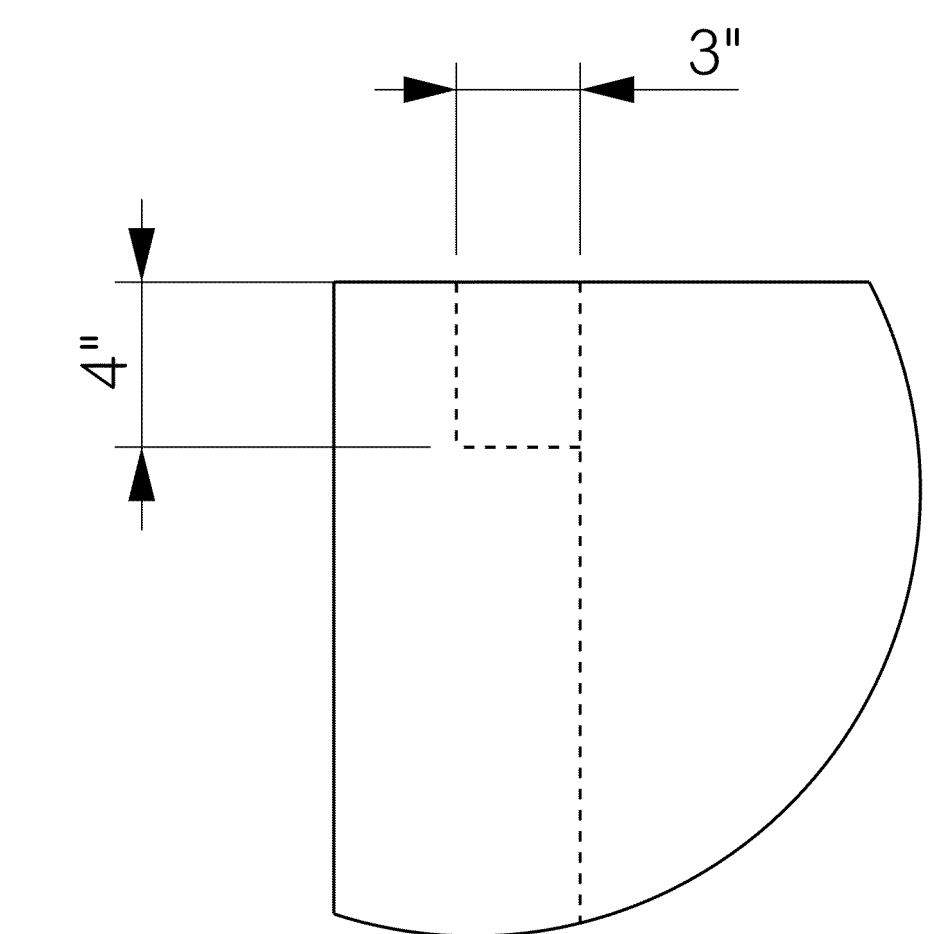
ISOMETRIC VIEW



ELEVATION



RIGHT END VIEW



DETAIL A

THROAT TYPE	# OF HOODS	LENGTH
A	1	32"
B	2	64"
C	3	96"
D	4	128"

ADD 32" FOR EACH ADDITIONAL HOOD

FEATURES:

- CONCRETE HAS DESIGN STRENGTH OF A MIN. OF 4,000 PSI AT 28 DAYS.
- DESIGNED FOR ASTM C-478.
- TOLERANCE IS PER MANUFACTURER'S STANDARD.

PROPRIETARY AND CONFIDENTIAL

THE INFORMATION CONTAINED IN THIS DRAWING IS THE SOLE PROPERTY OF NANCE PRECAST CONCRETE PRODUCTS.

ANY REPRODUCTION IN PART OR AS A WHOLE WITHOUT THE WRITTEN PERMISSION OF NANCE PRECAST CONCRETE PRODUCTS IS PROHIBITED.

