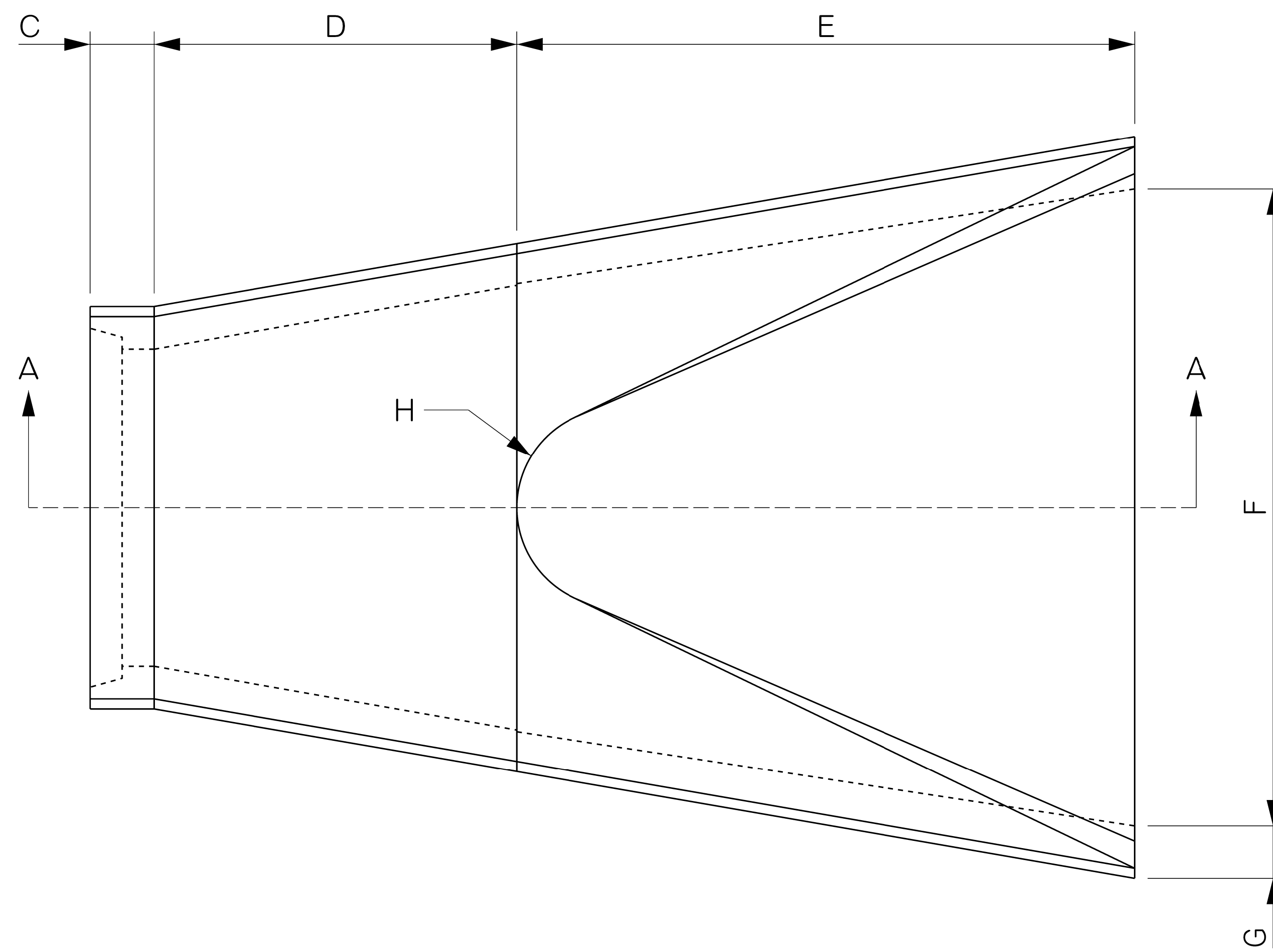


# ROUND FLARED END SECTION

NANCE PRECAST CONCRETE PRODUCTS

5601 WASHINGTON AVE. N.E., PIEDMONT, OK 73078

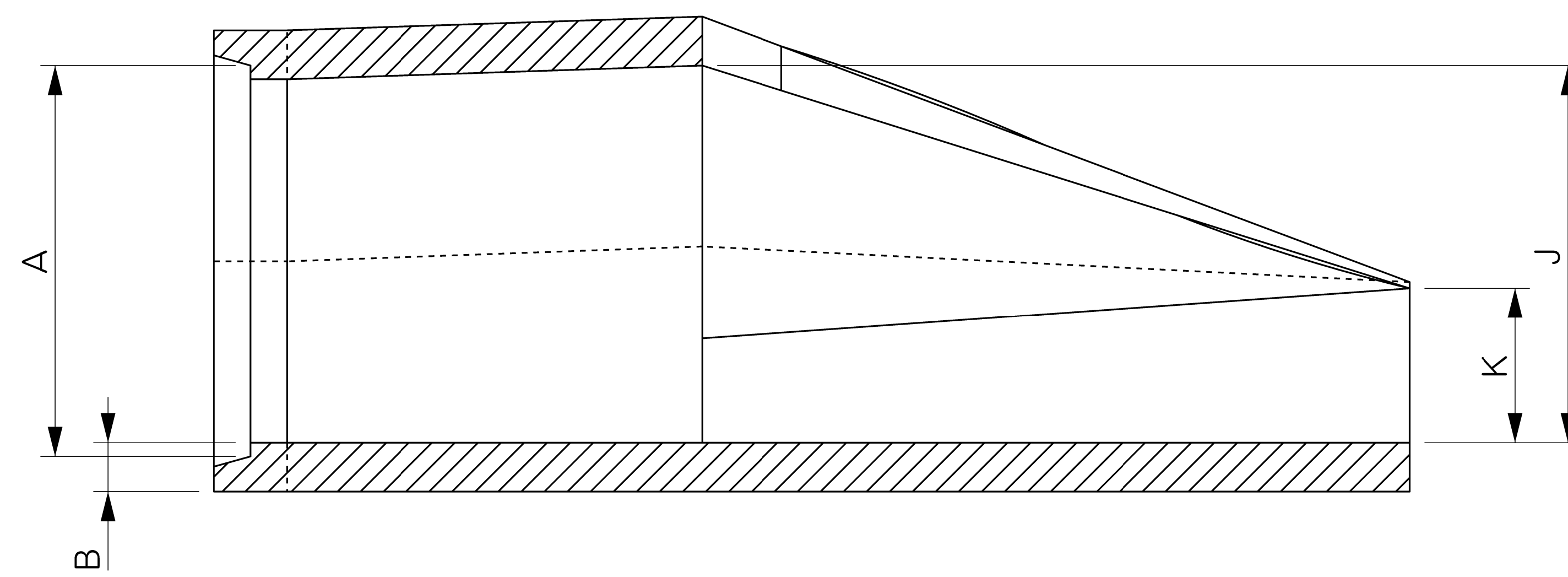
PHONE 405-373-1800 FAX 405-373-1803



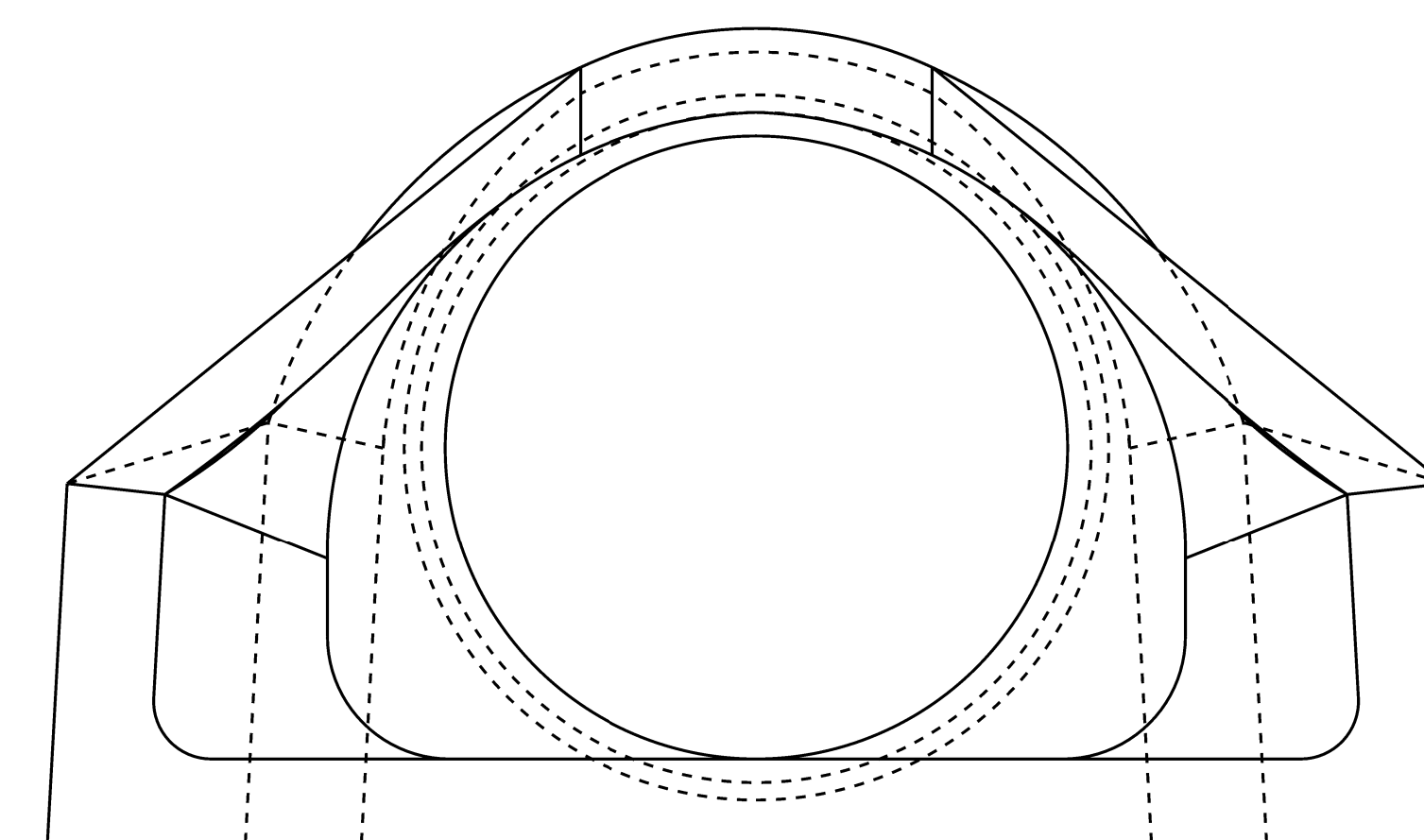
PLAN



ISOMETRIC VIEW



SECTION A-A



ELEVATION

|   | DIAMETER                          |                                  |                                 |                                  |                                  |                                  |                                  |                                  |
|---|-----------------------------------|----------------------------------|---------------------------------|----------------------------------|----------------------------------|----------------------------------|----------------------------------|----------------------------------|
|   | 12"                               | 15"                              | 18"                             | 24"                              | 30"                              | 36"                              | 42"                              | 48"                              |
| A | 12"                               | 15"                              | 18"                             | 24"                              | 30"                              | 36"                              | 42"                              | 48"                              |
| B | 2 <sup>3</sup> / <sub>4</sub> "   | 3"                               | 2 <sup>1</sup> / <sub>2</sub> " | 3"                               | 3 <sup>1</sup> / <sub>2</sub> "  | 4"                               | 5 <sup>1</sup> / <sub>4</sub> "  | 5 <sup>3</sup> / <sub>4</sub> "  |
| C | 2 <sup>9</sup> / <sub>16</sub> "  | 2 <sup>3</sup> / <sub>4</sub> "  | 4"                              | 4 <sup>1</sup> / <sub>2</sub> "  | 5"                               | 5 <sup>1</sup> / <sub>2</sub> "  | 5 <sup>1</sup> / <sub>4</sub> "  | 5 <sup>3</sup> / <sub>4</sub> "  |
| D | 46 <sup>5</sup> / <sub>16</sub> " | 43 <sup>1</sup> / <sub>4</sub> " | 42"                             | 25 <sup>1</sup> / <sub>2</sub> " | 14 <sup>3</sup> / <sub>4</sub> " | 29 <sup>1</sup> / <sub>4</sub> " | 29 <sup>3</sup> / <sub>4</sub> " | 20 <sup>1</sup> / <sub>4</sub> " |
| E | 24"                               | 27"                              | 27"                             | 43 <sup>1</sup> / <sub>2</sub> " | 54"                              | 63"                              | 63"                              | 72"                              |
| F | 24"                               | 30"                              | 36"                             | 48"                              | 60"                              | 72"                              | 78"                              | 84"                              |
| G | 2 <sup>9</sup> / <sub>16</sub> "  | 2 <sup>3</sup> / <sub>4</sub> "  | 2 <sup>1</sup> / <sub>2</sub> " | 3"                               | 3 <sup>1</sup> / <sub>2</sub> "  | 4"                               | 5 <sup>1</sup> / <sub>4</sub> "  | 5 <sup>3</sup> / <sub>4</sub> "  |
| H | ∅ 8 <sup>3</sup> / <sub>8</sub> " | ∅ 18"                            | ∅ 12"                           | ∅ 14"                            | ∅ 15"                            | ∅ 20"                            | ∅ 21"                            | ∅ 28"                            |
| J | 13"                               | 16"                              | 19"                             | 25"                              | 31"                              | 37"                              | 43"                              | 49"                              |
| K | 4"                                | 7 <sup>1</sup> / <sub>2</sub> "  | 9"                              | 9 <sup>1</sup> / <sub>2</sub> "  | 12"                              | 15"                              | 21"                              | 24"                              |

## FEATURES:

- CONCRETE HAS DESIGN STRENGTH OF A MIN. OF 4,000 PSI AT 28 DAYS.
- TOLERANCE IS PER MANUFACTURER'S STANDARD.

## PROPRIETARY AND CONFIDENTIAL

THE INFORMATION CONTAINED IN THIS DRAWING IS THE SOLE PROPERTY OF NANCE PRECAST CONCRETE PRODUCTS.

ANY REPRODUCTION IN PART OR AS A WHOLE WITHOUT THE WRITTEN PERMISSION OF NANCE PRECAST CONCRETE PRODUCTS IS PROHIBITED.

