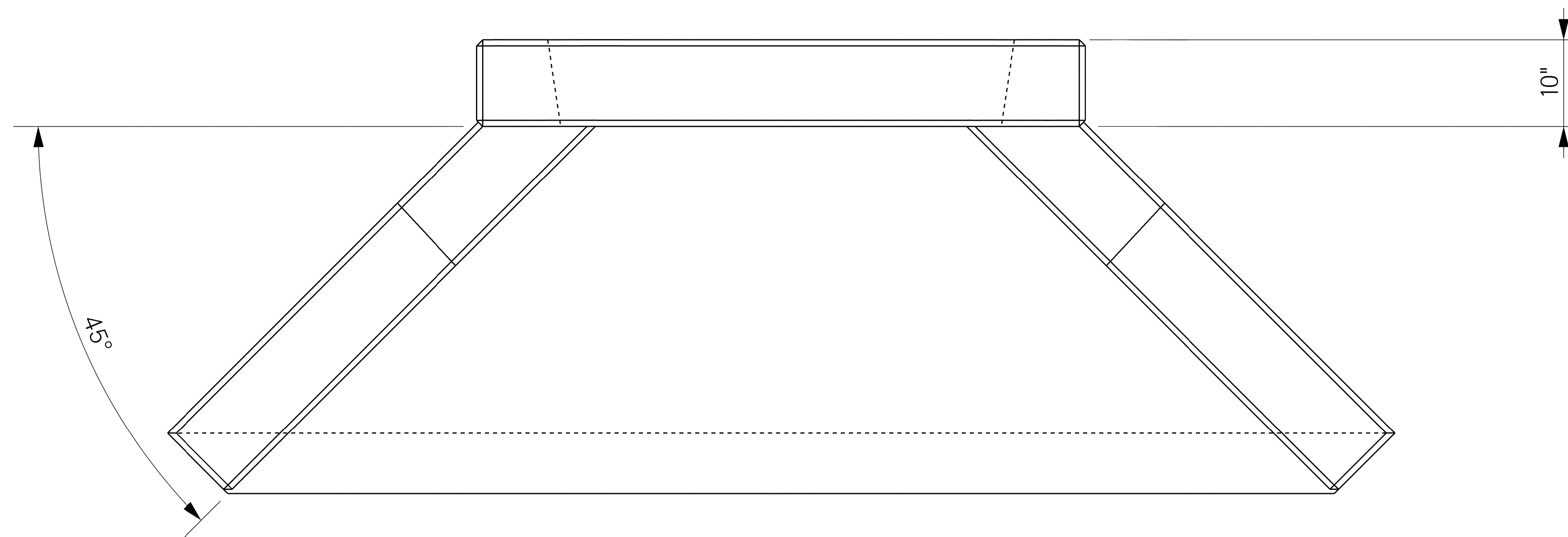


45° HEADWALL FOR 30" - 42" PIPE

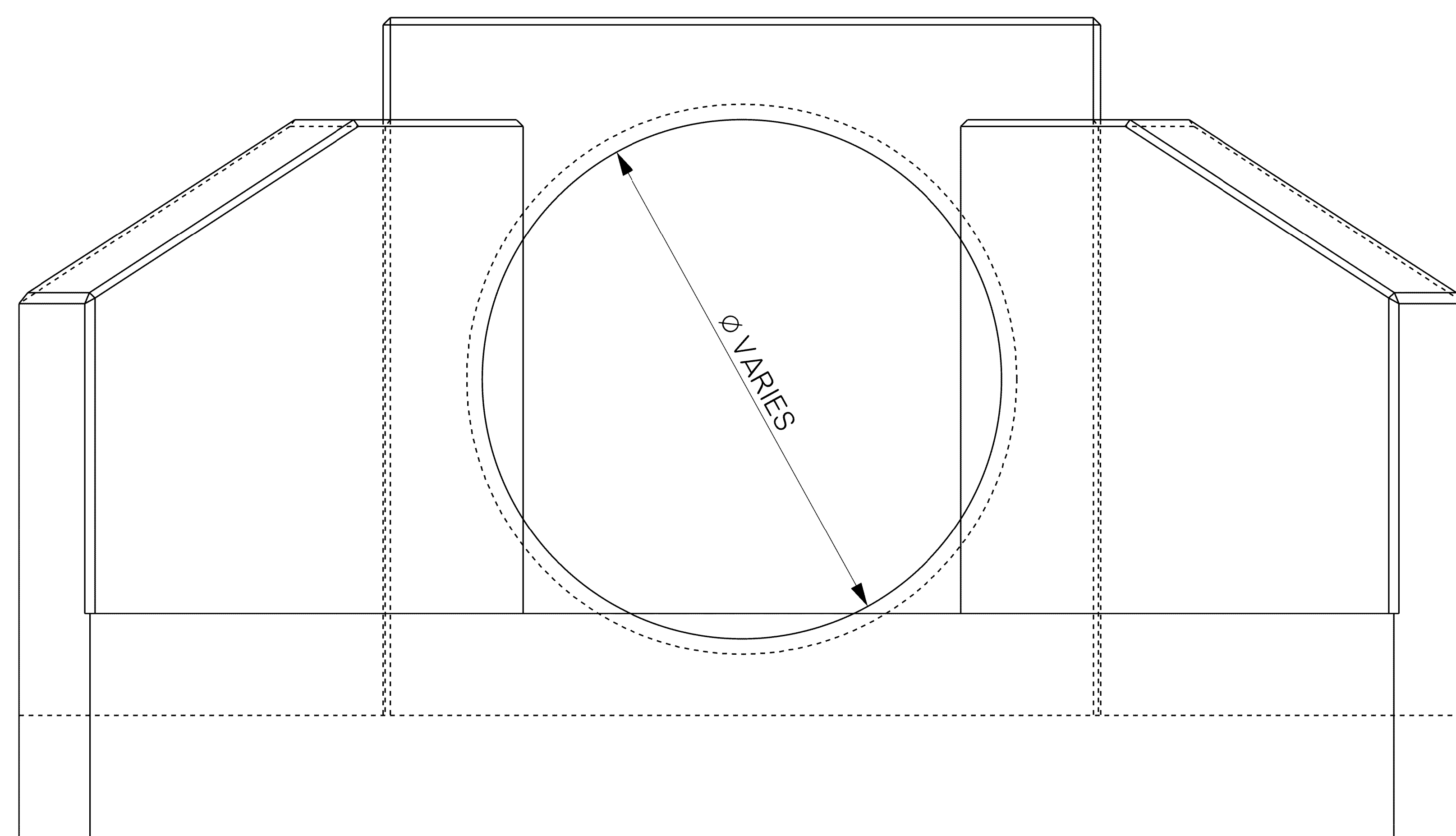
NANCE PRECAST CONCRETE PRODUCTS

5601 WASHINGTON AVE. N.E., PIEDMONT, OK 73078

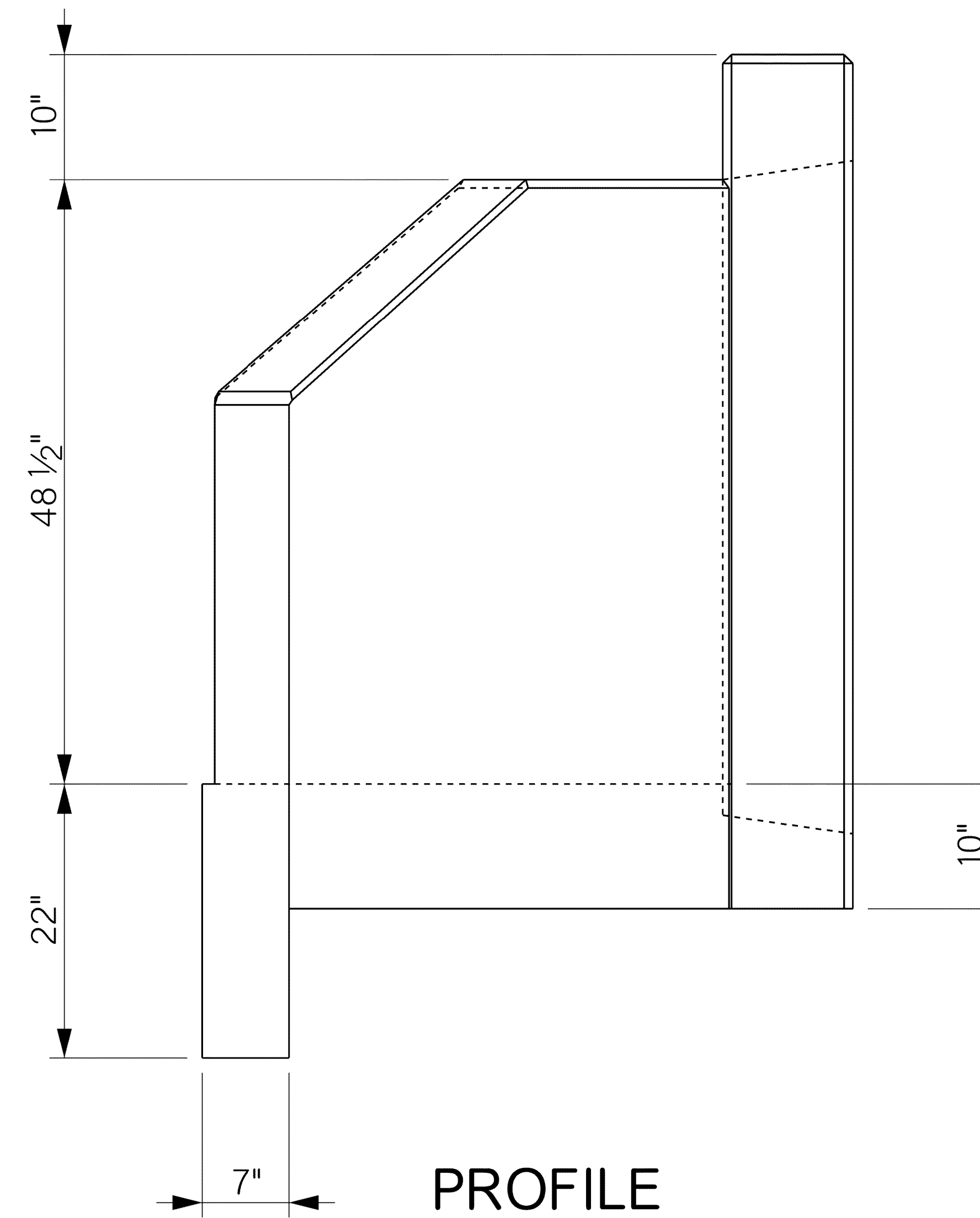
PHONE 405-373-1800 FAX 405-373-1803



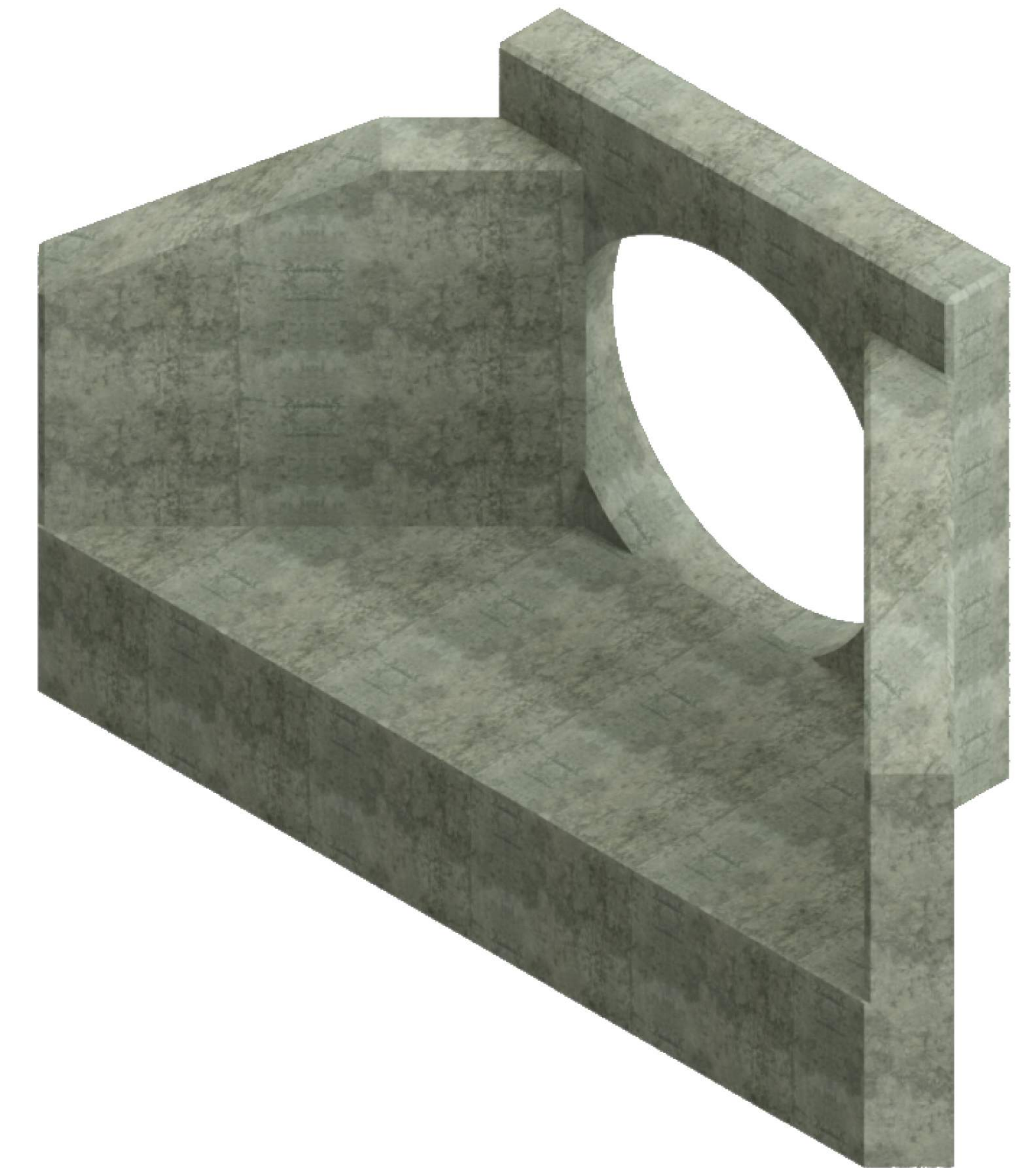
PLAN



ELEVATION



PROFILE



ISOMETRIC VIEW

GENERAL NOTES:

- CONCRETE HAS DESIGN STRENGTH OF A MIN. OF 4,000 PSI AT 28 DAYS.
- TOLERANCE IS PER MANUFACTURER'S STANDARD.

PROPRIETARY AND CONFIDENTIAL

THE INFORMATION CONTAINED IN THIS DRAWING IS THE SOLE PROPERTY OF NANCE PRECAST CONCRETE PRODUCTS.

ANY REPRODUCTION IN PART OR AS A WHOLE WITHOUT THE WRITTEN PERMISSION OF NANCE PRECAST CONCRETE PRODUCTS IS PROHIBITED.

