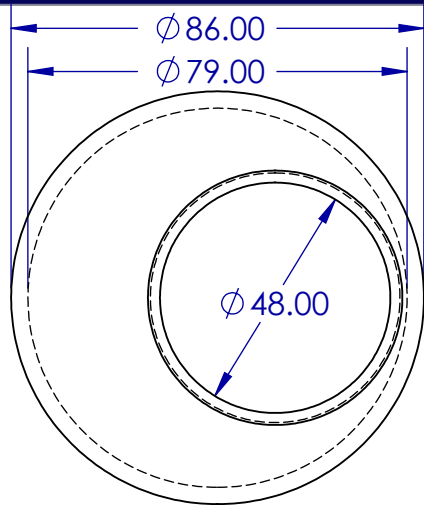


# Manhole Transition Slab: 6' Diameter to 4' Diameter

Nance Precast Concrete Products

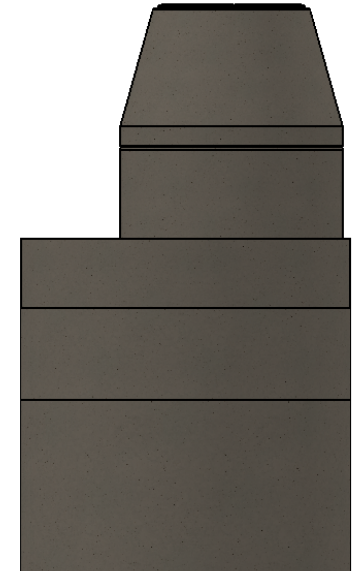
5601 Washington Ave. N.E., Piedmont, OK 73078

Phone 405-373-1800 Fax 405-373-1803

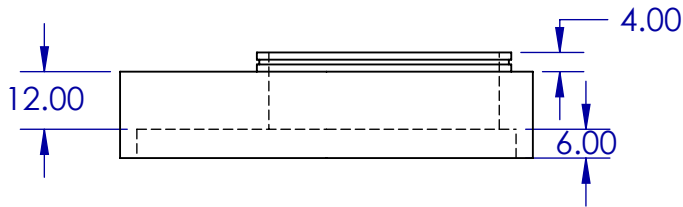


Top View

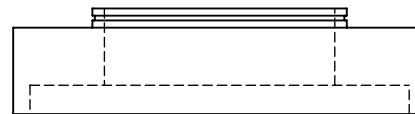
**ALSO AVAILABLE FOR  
5' AND 8' MANHOLES**



FULL MANHOLE  
WITH TRANSITION



Front View



Right View

MH019

**FEATURES:**

- Concrete has design strength of a min. of 4,000 PSI at 28 days
- Designed for ASTM C-478
- Tolerance is per manufacturer's standard

**PROPRIETARY AND CONFIDENTIAL**

THE INFORMATION CONTAINED IN THIS DRAWING IS THE SOLE PROPERTY OF NANCE PRECAST CONCRETE PRODUCTS.

ANY REPRODUCTION IN PART OR AS A WHOLE WITHOUT THE WRITTEN PERMISSION OF NANCE PRECAST CONCRETE PRODUCTS IS PROHIBITED.

DIMENSIONS	inches
SCALE	1:40

