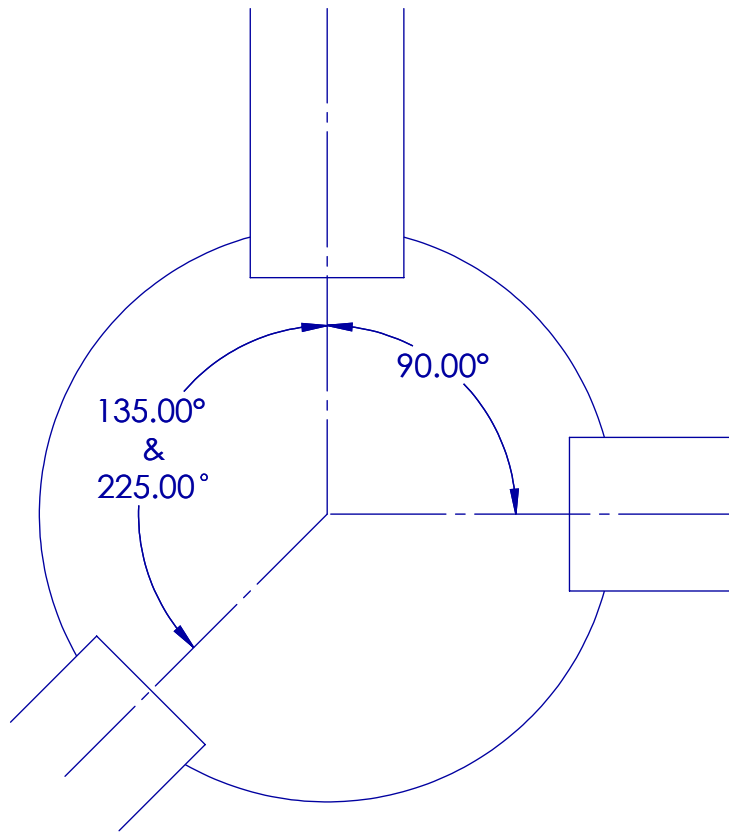


# MAX PIPE SIZE (O.D.'s)

Nance Precast Concrete Products

5601 Washington Ave. N.E., Piedmont, OK 73078

Phone 405-373-1800 Fax 405-373-1803



MAX PIPE O.D.'s		
MANHOLE DIAMETER	135 TO 225 DEGREES	90-135 225-270 DEGREES
4'	31.5"	25"
5'	42"	32"
6'	52.5"	38"
8'	73.5"	50"

MH004

DIMENSIONS	inches
SCALE	NTS

**PROPRIETARY AND CONFIDENTIAL**

THE INFORMATION CONTAINED IN THIS DRAWING IS THE SOLE PROPERTY OF NANCE PRECAST CONCRETE PRODUCTS.

ANY REPRODUCTION IN PART OR AS A WHOLE WITHOUT THE WRITTEN PERMISSION OF NANCE PRECAST CONCRETE PRODUCTS IS PROHIBITED.

