

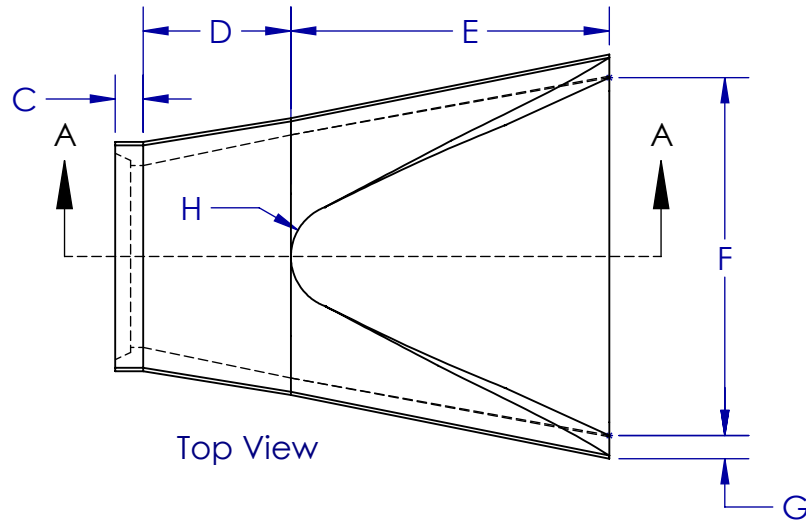
Round Flared End

Nance Precast Concrete Products

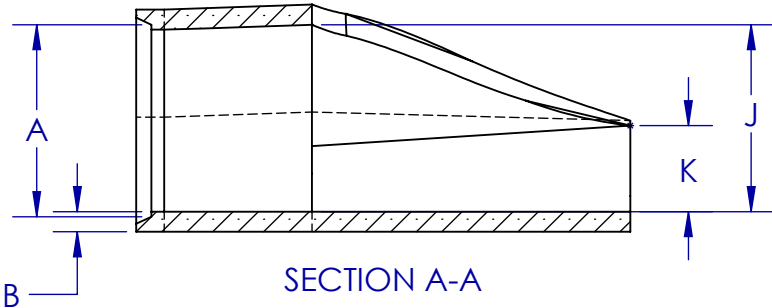
5601 Washington Ave. N.E., Piedmont, OK 73078

Phone 405-373-1800

Fax 405-373-1803

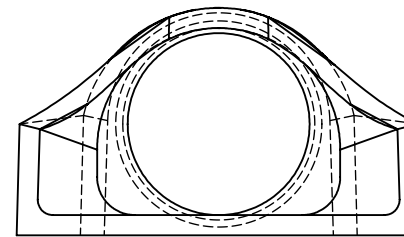
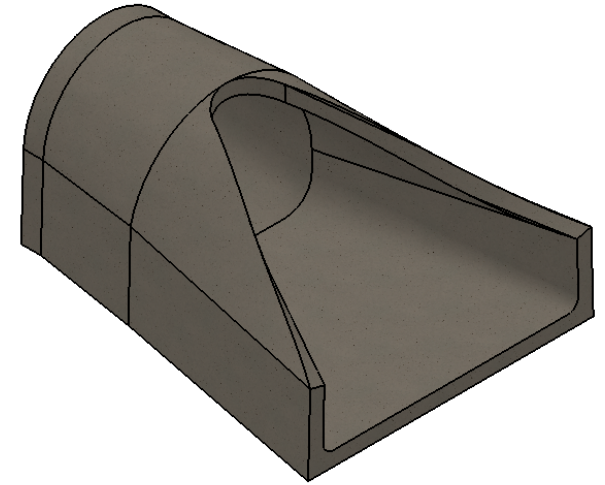


Top View



SECTION A-A

	18"	24"	30"	36"
A	18	24	30	36
B	2.5	3	3.5	4
C	4	4.5	5	5.5
D	42	25.5	14.75	29.25
E	27	43.5	54	63
F	36	48	60	72
G	2.5	3	3.5	4
H	Ø 12	Ø 14	Ø 15	Ø 20
J	19	25	31	37
K	9	9.5	12	15



Right View

FEATURES:

- Concrete has design strength of a min. of 4,000 PSI at 28 days
- Tolerance is per manufacturer's standard

FE001

DIMENSIONS	inches
SCALE	1:38

PROPRIETARY AND CONFIDENTIAL

THE INFORMATION CONTAINED IN THIS DRAWING IS THE SOLE PROPERTY OF NANCE PRECAST CONCRETE PRODUCTS.

ANY REPRODUCTION IN PART OR AS A WHOLE WITHOUT THE WRITTEN PERMISSION OF NANCE PRECAST CONCRETE PRODUCTS IS PROHIBITED.

