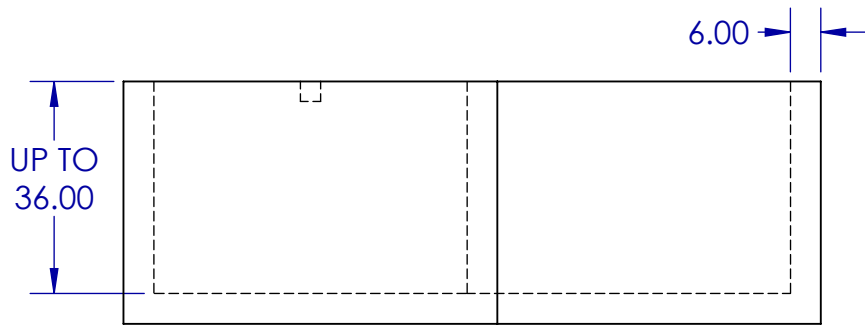
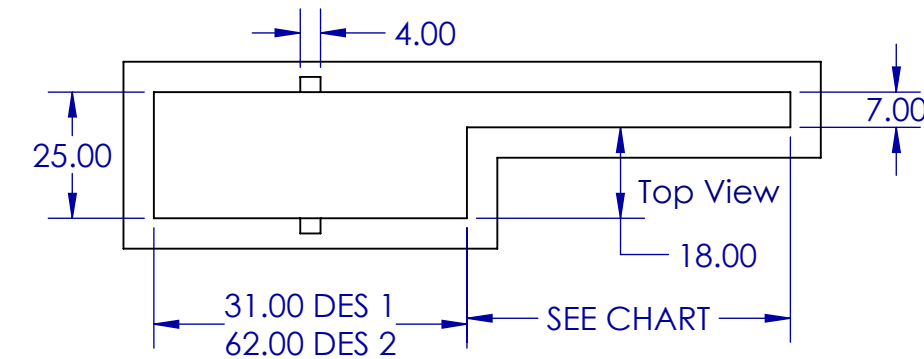


# Curb Inlet

Nance Precast Concrete Products

5601 Washington Ave. N.E., Piedmont, OK 73078

Phone 405-373-1800 Fax 405-373-1803



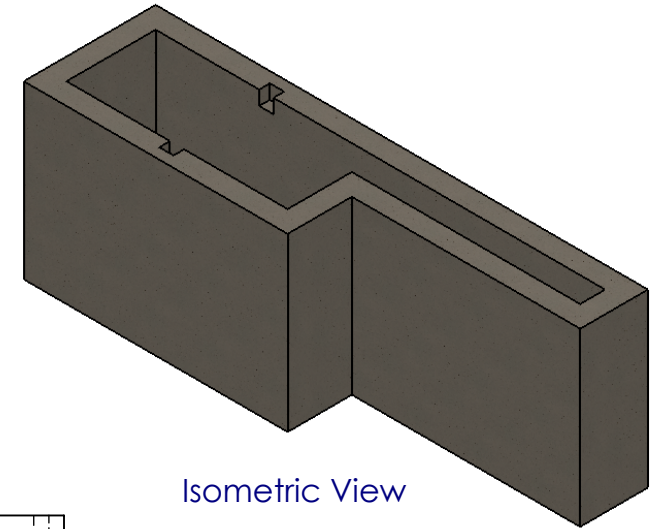
Front View

THROAT TYPE	# OF HOODS	LENGTH
A	1	32
B	2	64
C	3	96
D	4	128

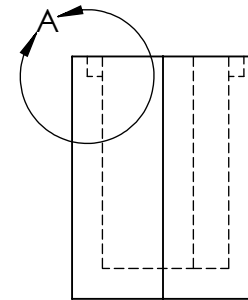
ADD 32" FOR EACH ADDITIONAL HOOD

**FEATURES:**

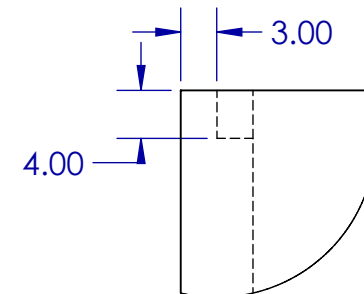
- Concrete has design strength of a min. of 4,000 PSI at 28 days
- Designed for ASTM C-478
- Tolerance is per manufacturer's standard



Isometric View



Right View



DETAIL A  
SCALE 1 : 16

IN001

DIMENSIONS	inches
SCALE	1:38

**PROPRIETARY AND CONFIDENTIAL**

THE INFORMATION CONTAINED IN THIS DRAWING IS THE SOLE PROPERTY OF NANCE PRECAST CONCRETE PRODUCTS.

ANY REPRODUCTION IN PART OR AS A WHOLE WITHOUT THE WRITTEN PERMISSION OF NANCE PRECAST CONCRETE PRODUCTS IS PROHIBITED.

