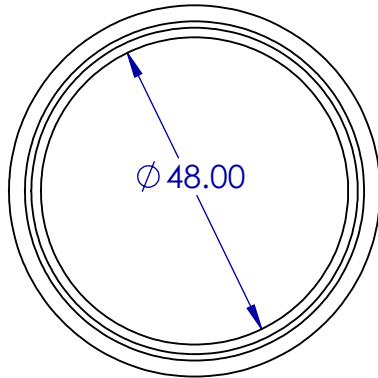


# 4' Diameter Manhole Base

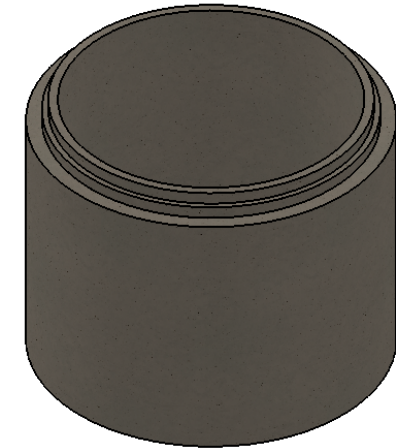
Nance Precast Concrete Products

5601 Washington Ave. N.E., Piedmont, OK 73078

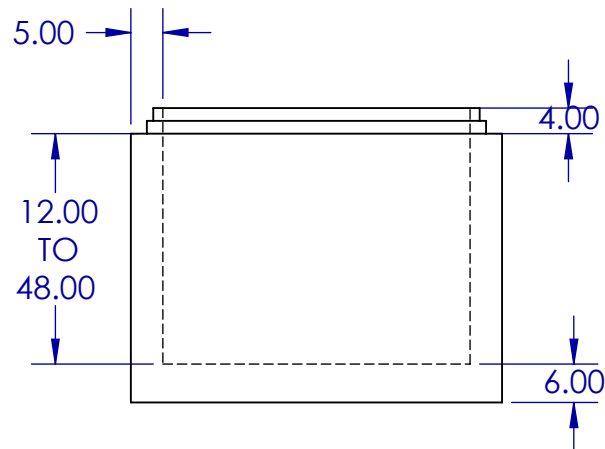
Phone 405-373-1800 Fax 405-373-1803



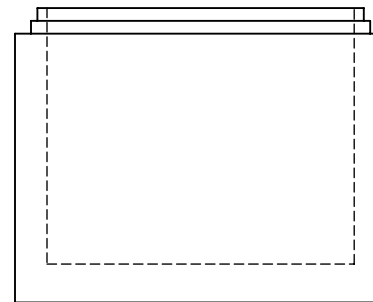
Top View



Isometric View



Front View



Right View

MH005

DIMENSIONS	inches
SCALE	1:30

**FEATURES:**

- Concrete has design strength of a min. of 4,000 PSI at 28 days
- Designed for ASTM C-478
- Tolerance is per manufacturer's standard

**PROPRIETARY AND CONFIDENTIAL**

THE INFORMATION CONTAINED IN THIS DRAWING IS THE SOLE PROPERTY OF NANCE PRECAST CONCRETE PRODUCTS.

ANY REPRODUCTION IN PART OR AS A WHOLE WITHOUT THE WRITTEN PERMISSION OF NANCE PRECAST CONCRETE PRODUCTS IS PROHIBITED.

