

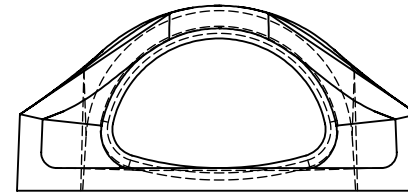
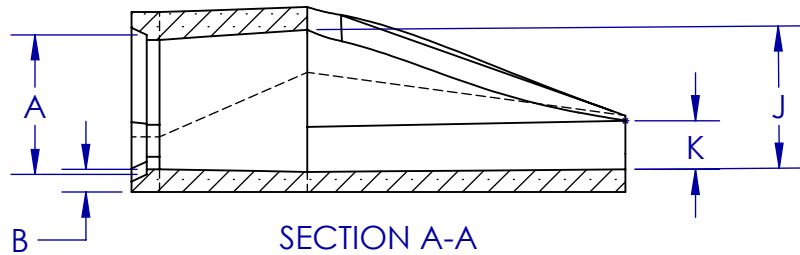
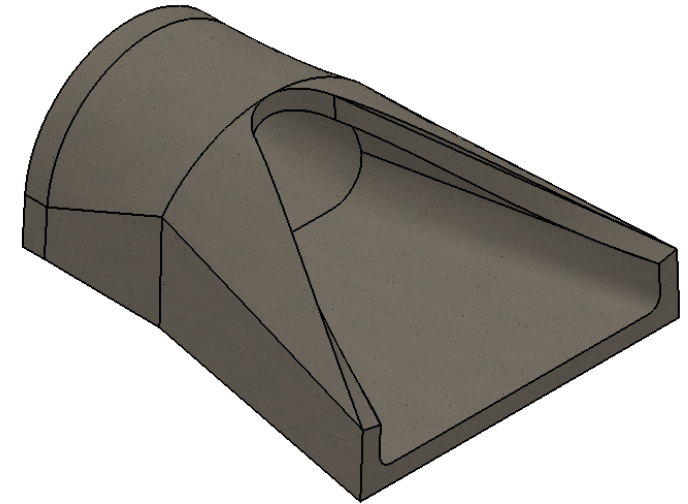
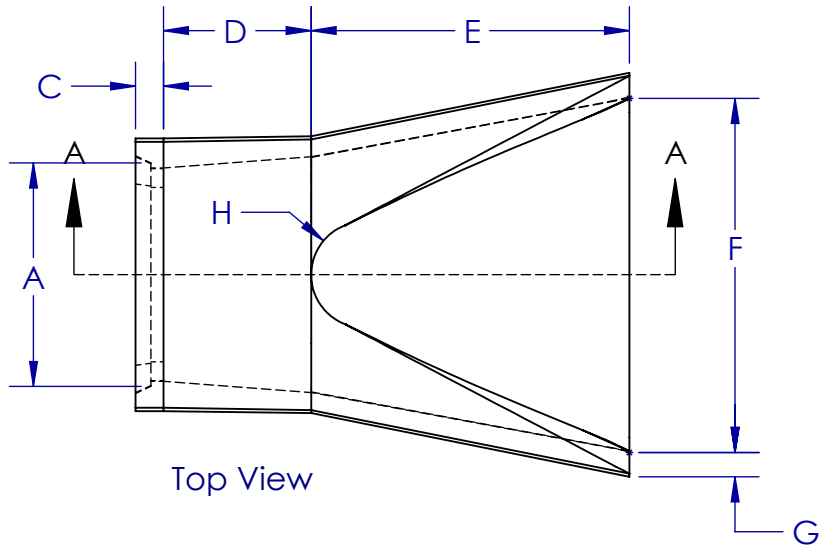
Arched Flared End

Nance Precast Concrete Products

5601 Washington Ave. N.E., Piedmont, OK 73078

Phone 405-373-1800

Fax 405-373-1803



FE002

	18"	24"	30"	36"
A	13.5X22	18X28.5	22.5X36.25	26.625 X 43.75
B	2.5	3.5	4	4.5
C	4	4.5	4.5	5
D	41	28.5	19.5	31
E	27	39	48	60
F	36	48	60	72
G	2.5	3.5	4.5	4.5
H	Ø 12	Ø 14	Ø 15	Ø 20
J	14.5	19	23.5	27.625
K	7	8	10	10.625

FEATURES:

- Concrete has design strength of a min. of 4,000 PSI at 28 days
- Tolerance is per manufacturer's standard

DIMENSIONS	inches
SCALE	1:38

PROPRIETARY AND CONFIDENTIAL

THE INFORMATION CONTAINED IN THIS DRAWING IS THE SOLE PROPERTY OF NANCE PRECAST CONCRETE PRODUCTS.

ANY REPRODUCTION IN PART OR AS A WHOLE WITHOUT THE WRITTEN PERMISSION OF NANCE PRECAST CONCRETE PRODUCTS IS PROHIBITED.

